



# Mobility Management for Femtocells in LTE-Advanced: Key Aspects and Survey of Handover Decision Algorithms

Dionysis Xenakis, Candidate PhD  
Department of Informatics and Telecommunications, University of  
Athens  
{nio@di.uoa.gr}



# Table of Contents

- **Small Cells**
  - Key features
  - Femtocells
- **LTE-Advanced**
- **Part I: Mobility Management for femtocells in LTE-Advanced (LTE-A)**
  - Network architecture and support of femtocells
  - Cell Identification
  - Access Control
  - Cell Search
  - Cell Selection/Reselection
  - Handover Decision
  - Handover Execution



# Table of Contents

- **Part II: Handover decision for femtocells in LTE-Advanced (LTE-A)**
  - Handover Decision Criteria and Context
  - Classification of Handover Decision Algorithms
  - Survey of Handover Decision Algorithms
  - Performance Evaluation and Modeling Issues
  - Comparative Summary
  - Future Research Directions

**D. Xenakis, N. Passas, L. Merakos, C. Verikoukis, “Mobility Management for Femtocells in LTE-Advanced: Key Aspects and Survey of Handover Decision Algorithms”, IEEE Communication Surveys and Tutorials, accepted.**



# Small Cells

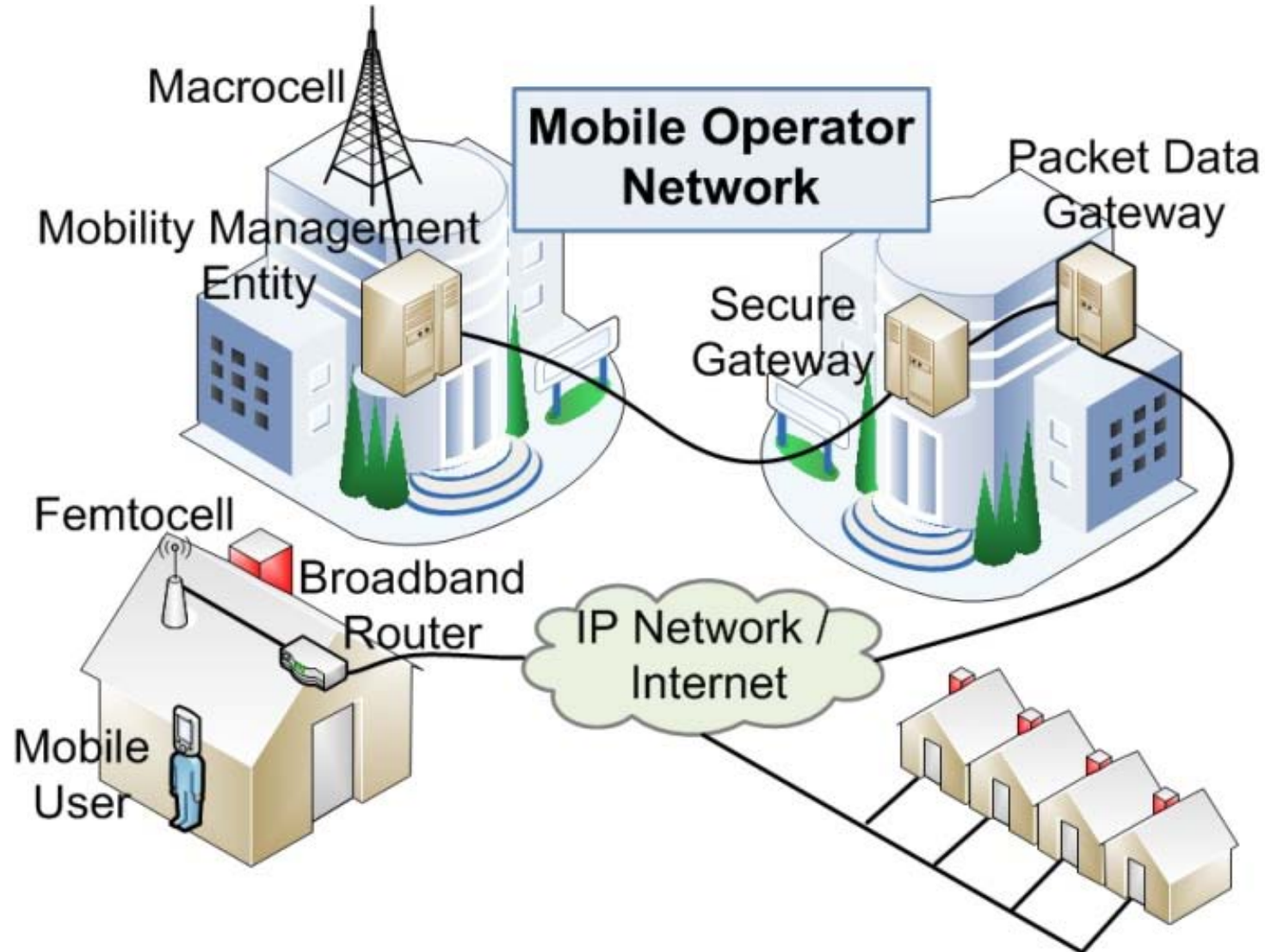
- *Key Challenge in Mobile Communications*
  - Smoothly integrate small-sized stations in the predominant macro-cellular layout
- Small Cells
  - Short-range, low-power and cost cellular access points
  - Support fewer users compared to macrocells
  - Embody the functionality of a regular base station
  - Operate in the mobile operator's licensed spectrum
  - Promising solution for supporting the plethora of emerging home/enterprise apps
  - Include pico, micro, metro cells: Operator-managed
  - Include femtocells: installed/managed by the users



# Femtocells

- Special case of small cells [1]
- Installed/managed by the users
- Utilize existing broadband backhaul to reach the mobile operator's network, e.g., xDSL
- Support up to a few users, e.g. 4 users
- Low power operation, e.g. up to 20dBm
- Are subject to access control
  - Closed: Service to a closed group of subscribed users
  - Open : All users are allowed to utilize the femtocell
  - Hybrid: Preferential access to subscribed users
- Feature edge-based intelligence
  - Self-x capabilities, advanced radio resource, mobility and interference management

# Femtocell Deployment Example





# Femtocell Benefits

- Mobile Operator Perspective
  - Reduce the Capital and Operational Expenditure
    - Femtocells utilize the consumer's broadband backhaul
    - Femtocells are installed and managed by the end user
  - Improve indoor coverage and system capacity
  - Result in higher spatial frequency reuse
  - Lower power transmissions
  - Decongest nearby macrocells
- User Perspective
  - Improved indoor coverage
  - Enhanced system capacity – end throughput
  - Prolonged handset battery lifetime
  - Preferential charging
    - Utilize the consumer's broadband backhaul



# Femtocell Open Issues

- Business Models / Access Methods [1][13]-[14]
- Radio Resource Management [15]-[17]
  - Resource Allocation and Power Control
- Energy Saving Management [18]-[22]
  - Network : Component and System Level ES
  - User side: Enhance the UE energy-efficiency
    - Discontinuous Reception (DRX) [30]-[32]
- Interference Management [2] [23]-[29]
- Self-organization, configuration and healing [1]
- Location Management [38]
- Mobility Management [33]-[61] [69]-[73]
- Performance Analysis [62]-[64] [41]-[43] [48]





# LTE-Advanced

- Technological advancement of the Long Term Evolution System Rel. 8/9
- Meets and surpasses the requirements set by the International Telecommunication Union (ITU) for the IMT-Advanced system [3]-[4]
- Incorporates a plethora of technical improvements to the LTE system [5]-[9]
  - Carrier aggregation
  - Advanced multi-antenna techniques
  - Relaying
  - Enhanced support for heterogeneous deployments, including femtocells



# Part I: Mobility Management for femtocells in LTE-A

- Overview of Part I
  - Motivation
  - Support of Femtocells in LTE-A
  - Discuss the key aspects and research challenges
    - Cell Identification
    - Access Control
    - Cell Search
    - Cell Selection / Reselection
    - Handover Decision
    - Handover Execution

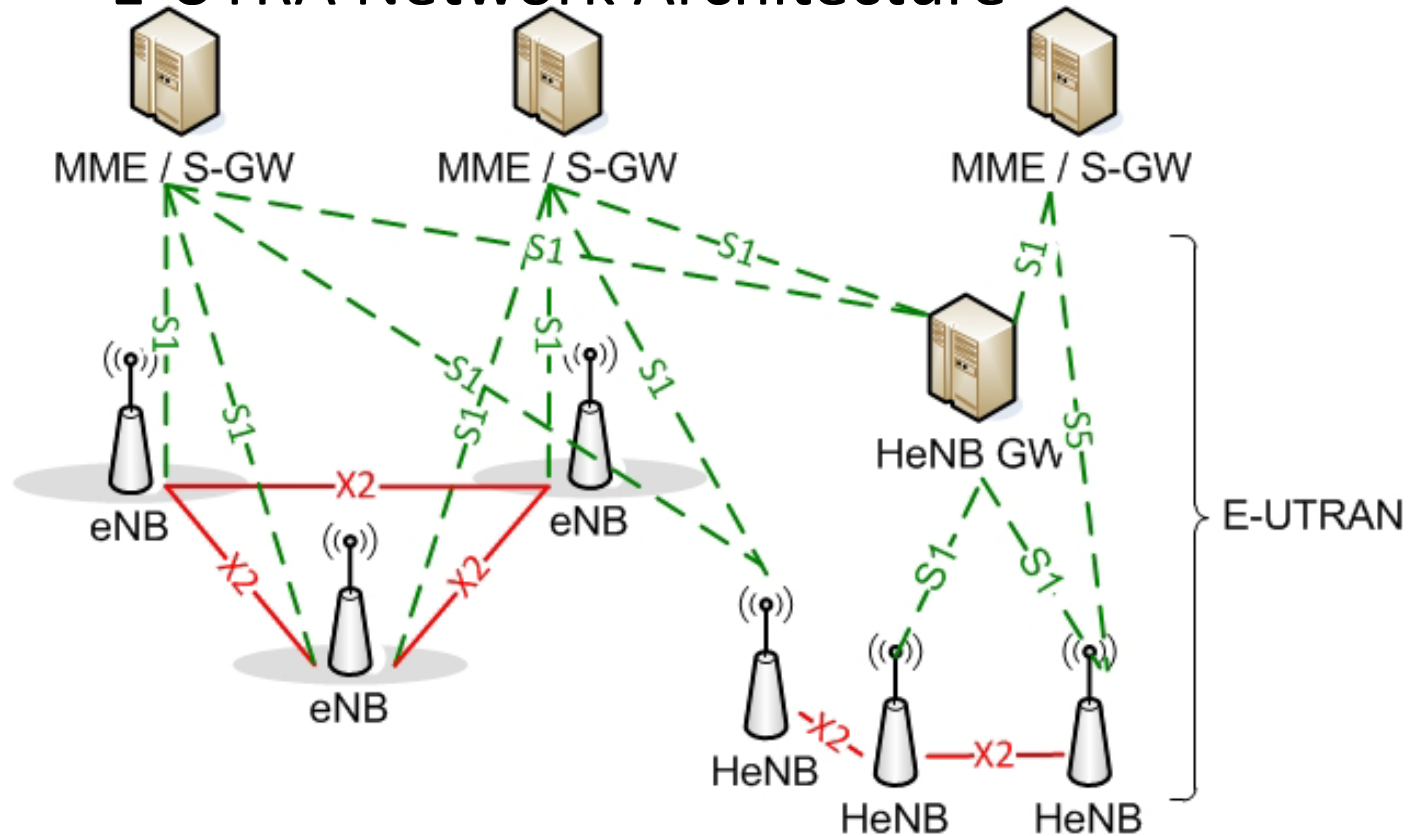


# Part I: Mobility Management for femtocells in LTE-A

- Motivation
  - MM for femtocells is challenging
    - **Denser network layout and short-cell radii**
      - Augment the negative impact of user mobility
      - Enlarge the number of candidate cells
      - Increase the HO probability even for low speed users
    - **Access control restrictions**
      - Degrades the SINR performance under certain interference scenarios, e.g., closed access
    - **Unplanned deployment pattern**
      - Introduces randomness and dictates autonomicity
    - **Low-power operation**
      - The signal is more vulnerable to non line of sight (NLOS) propagation conditions and fast variations of the radio environment

# Part I: Mobility Management for femtocells in LTE-A

- Support of Femtocells in LTE-A
  - E-UTRA Network Architecture





# Part I: Mobility Management for femtocells in LTE-A

- Support of Femtocells in LTE-A
  - Evolved Packet Core (EPC)
    - **Mobility Management Entity (MME)**
      - Implements the functions of core network (CN) signaling for MM between 3GPP access networks, idle state mobility handling (e.g., paging), tracking area list management, roaming, bearer control, security and authentication
    - **Serving Gateway (S-GW)**
      - Hosts the functions of lawful interception, charging, accounting, packet routing and forwarding, and mobility anchoring for intra and inter-3GPP MM



# Part I: Mobility Management for femtocells in LTE-A

- Support of Femtocells in LTE-A
  - Access Network
    - **Evolved Node B (eNB)**
      - User and control plane protocol terminations towards the UE
      - Supports the functions of radio resource management, admission control, scheduling and transmission of paging/broadcast messages, measurement configuration for mobility and scheduling, routing of user plane data towards the S-GW
    - **Home eNB**
      - Supports the same functionality as the eNB
    - **HeNB Gateway**
      - Concentrator for the control plane to support a large number of HeNBs in a scalable manner
      - Appears to the HeNBs as an MME and to the EPC as an eNB
      - Optional deployment



# Part I: Mobility Management for femtocells in LTE-A

- Support of Femtocells in LTE-A
  - Interfaces
    - **X2 interface**
      - Allows direct connectivity between the eNBs
      - Allows direct connectivity between the HeNBs
        - » Different from LTE Rel. 8/9
      - Is not supported for interconnection between eNBs and HeNBs
      - X2-based handover between HeNBs is allowed only if no access control is required at the MME
    - **S1 interface**
      - Interconnects the eNBs and HeNBs to the EPC



# Part I: Mobility Management for femtocells in LTE-A

- Support of Femtocells in LTE-A
  - Technical Specifications related to MM for femtocells

Technical Specification	Title	Relation to MM support of femtocells
3GPP TS 36.211 V10.4.0	Physical Channels and Modulation [89]	Describes the procedures followed to generate and demodulate the Reference Signals for MM
3GPP TS 36.214 V10.1.0	Physical layer; Measurements [90]	Describes standard UE and E-UTRAN signal quality measurements used for MM
3GPP TS 36.300 V10.7.0	Overall description [84]	Describes the network architectural and procedural E-UTRAN enhancements to support femtocells. It also includes the MM procedures followed in the presence of HeNBs
3GPP TS 36.331 V10.5.0	Radio Resource Control (RRC); Protocol specification [91]	Describes the structure, the information elements and the procedures followed to broadcast the system information blocks (SIB)
3GPP TS 36.410 V10.2.0	S1 general aspects and principles [87]	Describes general aspects of the S1 interface and defines the S1 interface protocol functions
3GPP TS 36.413 V10.5.0	S1 Application Protocol (S1AP) [88]	Describes the S1 interface procedures used to support various LTE-A functions, including MM
3GPP TS 36.420 V10.2.0	X2 general aspects and principles [85]	Describes general aspects of the X2 interface and defines the X2 interface protocol functions
3GPP TS 36.423 V10.5.0	X2 application protocol (X2AP) [86]	Describes the X2 interface procedures used to support various LTE-A functions, including MM



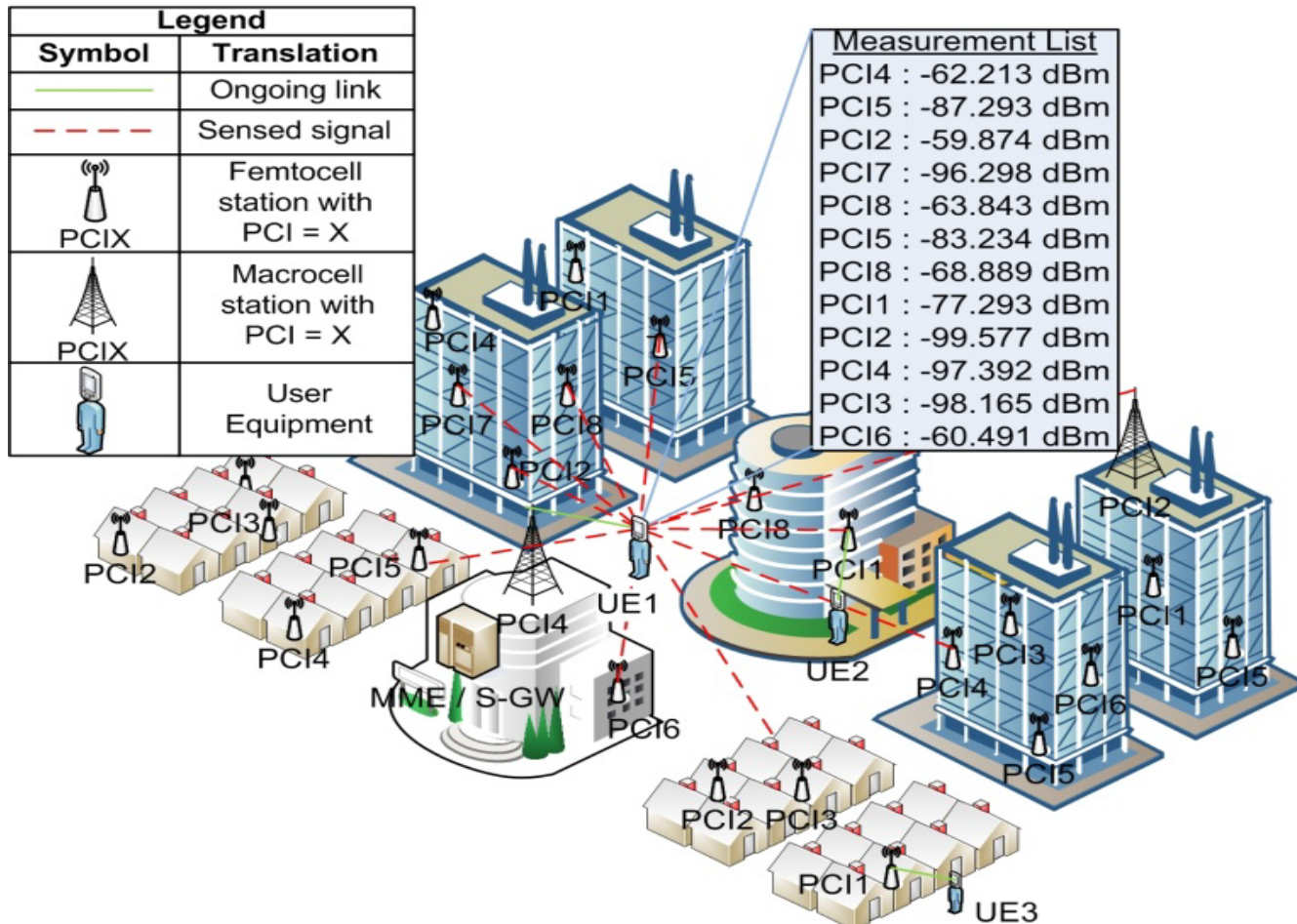


# Part I: Mobility Management for femtocells in LTE-A

- Cell Identification
  - *Involves all the mechanisms and identifiers used to distinguish femtocells from macrocells and/or other femtocells*
  - Cellular networks use a limited number of Physical Cell Identifiers (PCI) to distinguish the cells
    - Broadcasting unique cell identifiers asks for increased signaling and radio resource overhead
      - Should be transmitted in frequent and periodic basis to allow their systematic acquisition
      - Are typically scrambled within the broadcast channel
  - In the presence of femtocells
    - Denser PCI reuse : infeasible for the network nodes to uniquely identify the target cells
    - Random PCI selection : the random deployment hinders the centralized assignment of PCI values

# Part I: Mobility Management for femtocells in LTE-A

- Cell Identification: PCI Confusion Problem





# Part I: Mobility Management for femtocells in LTE-A

- Cell Identification

- Research Challenges

1. PCI Resolution: Use procedures that guarantee the unique identification of nearby cells
  - Hierarchical Cell Structuring: categorize the cells into different layers and introduce priorities
  - Separate PLMN ID for different cell tiers
  - Upper-layer approaches: acquire the unique cell global identifiers (CGI) transmitted in less frequently
    - » Used as the main PCI resolution method in LTE-A
  - Carrier and PCI reservation for different cell tiers
    - » Used as a complementary method in LTE-A
2. PCI Selection: Minimize the negative impact of the PCI reuse by using distributed PCI selection algorithms
  - Current literature for PCI selection [92]-[98]
  - Need for distributed algorithms using cognition, cooperation, and context-awareness



# Part I: Mobility Management for femtocells in LTE-A

- Cell Identification in LTE-A
  - LTE-A uses 504 unique PCIs
  - PCI Resolution
    - LTE-A resolves it by configuring the UEs to acquire the unique E-UTRAN CGI (ECGI) of the target cell
      - Introduces delay overhead (~80ms)
    - Provisions for PCI and carrier reservation
      - Need for utilizing this option to resolve the PCI confusion
  - PCI Selection
    - Centralized approach
      - The OAM system signals to the (H)eNB a specific PCI
    - Distributed approach
      - The OAM signals to the (H)eNB a list of PCI values
        - » The (H)eNB chooses itself the PCI
      - LTE-A provides recommendations but does not specifies the distributed PCI selection algorithm



# Part I: Mobility Management for femtocells in LTE-A

- Access control
  - *Involves the signaling, identifiers and procedures used to validate the membership status of a UE in a target femtocell*
  - Three access schemes
    - Closed: A specific group of users utilizes the femtocell
      - Exclusive utilization of the radio resources
      - SINR degradation due to cross-tier interference
    - Open: All users are allowed to utilize the femtocell
      - Minimizes cross-tier interference
      - Frequent service interruption, increased HO probability
    - Hybrid: Prioritized service to a specific group of users
      - Allows flexible resource utilization
      - Necessitates advanced admission control, handover decision and radio resource management algorithms



# Part I: Mobility Management for femtocells in LTE-A

- Access control
  - Challenges in the presence of femtocells
    1. The UE should be aware of the closed groups it can access
    2. Femtocells should indicate the supported closed group
    3. A trusted network entity should validate the membership status of the mobile terminals
- Access control in LTE-A
  - UEs are part of Closed Subscriber Groups (CSG)
    - CSG and hybrid cells
      1. UE maintains a whitelist of CSGs
      2. HeNBs broadcast the CSG ID they support and the allowed type of access (CSG Indicator)
      3. Access control is always performed at the MME
        - Except if intra-CSG handover takes place



# Part I: Mobility Management for femtocells in LTE-A

- Cell Search
  - *The procedure by which the UE acquires time and frequency synchronization with a nearby cell in order to identify it and measure its signal quality*
  - Based on
    - Signal measurements performed on pilot or reference signals broadcast by the cells in a predefined time - frequency basis
  - Triggered by
    - Events related to the status of the serving or neighbor cells, typically the RSS
  - Performed during
    - Idle DL or UL periods provided by DRX or packet scheduling (gap assisted measurements)
  - Configured by the network (typically)



# Part I: Mobility Management for femtocells in LTE-A

- Cell Search
  - In the presence of femtocells
    - Dense yet unplanned deployment
      - Network inability to provide a comprehensive Neighbor Cell List (NCL)
        - » A limited number of NCL entries are allowed (e.g. 32)
    - Access control restrictions
      - NCL should be adapted on a per UE basis
  - Key performance trade-off:
    - Search and measure the signal quality of as much as possible nearby cells without consuming much of the energy saving opportunities (DRX gaps) or having frequent service interruption (resource gaps) or increasing the QoS maintenance overhead (gap scheduling)





# Part I: Mobility Management for femtocells in LTE-A

- Cell Search
  - Research Challenges
    1. Develop UE-based autonomous cell search strategies
      - Use of context-awareness and cognition
    2. Construct a comprehensive NCL at the cells to assist the UEs
      - Shorten the cell search duration and enhance its accuracy
      - Use of context-aware and cooperative strategies
    3. Deploy femtocell-specific cell search triggering
      - Avoid frequent yet unnecessary measurements
      - Use of context-awareness, cognition and cell cooperation
    4. Deploy more sophisticated DRX and packet scheduling
      - Trade-off between the cell search accuracy/duration and the required QoS maintenance and energy overheads



# Part I: Mobility Management for femtocells in LTE-A

- Cell Search in LTE-A
  - Is based on following the primary and secondary synchronization signals in the DL direction transmitted on specific subcarriers and slots [84]
  - UE can perform two basic measurements
    - Reference Signal Received Power (RSRP)
      - The RSS of a target cell (the RSS of other cells is excluded)
    - Reference Signal Received Quality (RSRQ)
      - RSRP to the RSS of all other cells in proximity
    - The RSRP and RSRQ are performed on specific RS
  - Cell search in LTE-A depends on the UE state
    - Idle and connected state cell search



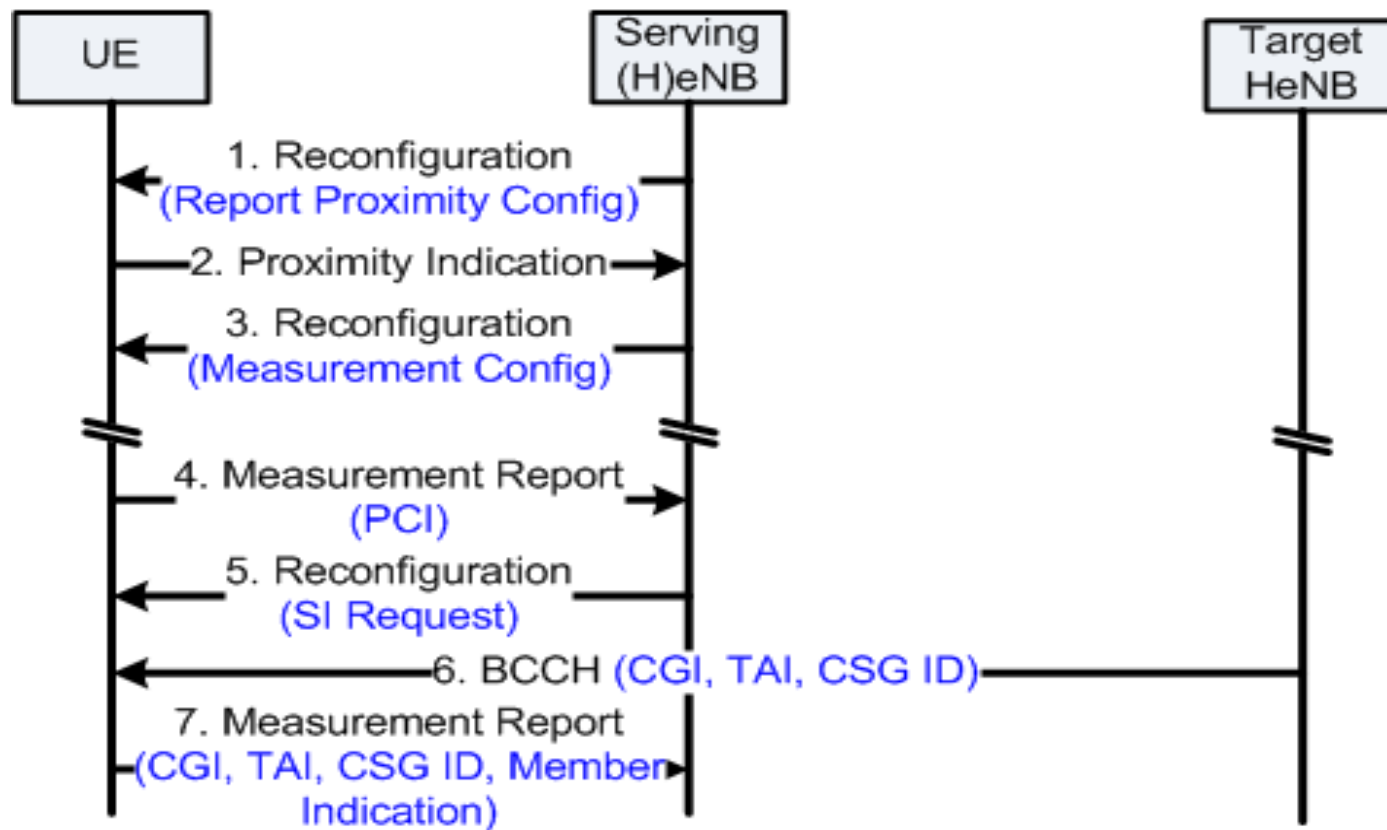
# Part I: Mobility Management for femtocells in LTE-A

- Cell Search in LTE-A
  - Connected State (general)
    - Can be based on network configuration
    - Both event-triggered and period measurement reporting are enabled
    - The serving cell
      - Can provide black lists
      - Is not required to provide a NCL
      - Should at least indicate the carrier frequency for inter-frequency neighbor cells
  - In the presence of femtocells
    - The serving cell can use the feature of proximity estimation
      - Allows the UE to determine itself the presence of femtocells using autonomous cell search procedures



# Part I: Mobility Management for femtocells in LTE-A

- Cell Search in LTE-A
  - Connected State





# Part I: Mobility Management for femtocells in LTE-A

- Cell Search in LTE-A
  - Idle State (general)
    - Can be based on manual selection of CSG cells
    - Can be based on configuration provided by the network, e.g., NCL
    - Can be based on a UE autonomous search function
      - The UE determines itself when and where to search for cells
      - The cells can assist the UE by broadcasting a range of PCIs or carriers reserved for CSG use only
  - Both the UE autonomous search function (idle state) and the proximity estimation procedures are left up to the UE implementation



# Part I: Mobility Management for femtocells in LTE-A

- Cell Selection / Reselection
  - *Cell Selection: the attachment procedure where the UE is idle and not camped on a cell*
    - UE switch-on phase or upon losing network coverage
    - Search all frequency bands, identify the cells operating in each carrier and follow a random access procedure to camp on the most suitable cell
  - *Cell Reselection: the inter-cell mobility procedure where the UE is idle and is already camped on a cell*
    - Measure the signal quality of nearby cells
    - Deploy cell ranking, or use frequency priorities provided by the network, or perform other optimization criteria
    - Can be assisted by the network with a NCL
  - Stored or cache information can be utilized to shorten the cell selection/reselection phases



# Part I: Mobility Management for femtocells in LTE-A

- Cell Selection / Reselection
  - Research Challenges
    - Optimized formation of tracking areas (TA)
      - TAs are used to reduce the paging and cell reselection signaling overheads (cell grouping)
      - Even more challenging in the presence of femtocells
      - Performance trade-off: Using large TAs reduces the cell selection/reselection signaling and energy overheads at the UEs (less frequent TA update) but also increase the signaling, energy, and radio resource overhead at the network (more cells broadcast paging messages for a UE)
    - Deploy femtocell-specific cell selection/reselection
      - Increase the femtocell utilization / Offload macrocells
      - Anticipate with the required signaling and delay overhead for cell selection/reselection
      - Cope with the fast RSS variations and access control
      - Use stored or cache information



# Part I: Mobility Management for femtocells in LTE-A

- Cell Selection / Reselection in LTE-A
  - Cell Selection
    - Search all frequency bands, identify the strongest cell for each carrier, and read the SI to identify the PLMN ID
    - Select the one that satisfies the cell selection criteria, belongs to the allowed PLMN, is not included in a black list, does not belong to a forbidden TA
  - Cell Reselection
    - Intra-frequency case: use of absolute frequency priorities
    - Inter-frequency case: Absolute priorities broadcast in SI
  - Cell selection/reselection for CSG cells
    - UE autonomous search function
    - Manual selection





# Part I: Mobility Management for femtocells in LTE-A

- Cell Handover
  - *Consists of all the decision and signaling procedures required to seamlessly transfer the ongoing user connections from its serving to a neighbor cell*
- Handover Decision
  - *The decision part of the cell HO*
  - UE-assisted network-controlled in cellular networks
  - Used to offload highly congested cells or improve the signal quality at the UE
  - In the presence of femtocells
    - Frequent HO triggering (short cell radii, denser network layout, fast varying radio environment)
    - Uneven transmit power on the RS
    - Divergent interference levels among the cells
    - Opportunity to save energy and enhance the QoE



# Part I: Mobility Management for femtocells in LTE-A

- Handover Decision
  - Research Challenges
    - HO decision triggering
      - Consider the use of other IMT-Advanced features instead
    - Account for the actual interference and RS transmit power status at the candidate cells (context-awareness)
    - Fully exploit the femtocell utilization opportunities while sustaining a low HO probability
    - Powerful tool for interference handling and energy saving management (macroscopic level)
    - Attain backwards compatibility and describe the required signaling procedures for context acquisition
    - Assess the performance of the proposed algorithms in terms of interference, energy-efficiency, and throughput
- Handover Decision in LTE-A is an open issue



# Part I: Mobility Management for femtocells in LTE-A

- Handover Execution
  - *Consists of all the necessary signaling procedures for performing inter-cell mobility when the UE is in the connected state*
  - In the presence of femtocells
    - Requires increased signaling and delay overheads
      - Femtocells connect to the core network through the user's broadband backhaul
      - The signaling passes through additional network entities
      - Need to integrated femtocell-specific processes such as access control, PCI resolution, autonomous search
      - Existing femtocell-specific HO decision algorithms utilize an enriched set of parameters



# Part I: Mobility Management for femtocells in LTE-A

- Handover Execution
  - Research Challenges
    - Optimize the wired and cellular backhaul under the viewpoint of femtocells
      - Use of femtocell gateways
    - Revisit and optimize existing HO execution signaling protocols
    - Smoothly integrate femtocell-specific processes into the standard HO execution procedure
    - Account for the additional HO execution signaling prior to HO decision making



# Part I: Mobility Management for femtocells in LTE-A

- Handover Execution in LTE-A
  - HO execution scenarios

HO Scenario	Serving Cell	Target Cell	Access Control	HO Type	HO Execution Interface
1	eNB	eNB	Does not apply	Regular E-UTRAN	X2
2	HeNB	eNB	Does not apply	Outbound from HeNB	S1
3	(H)eNB	HeNB	Yes	Inbound to HeNB	S1
4	eNB	HeNB	No	Inbound to HeNB	S1
5	HeNB	HeNB	No	Inbound to HeNB	X2 / S1

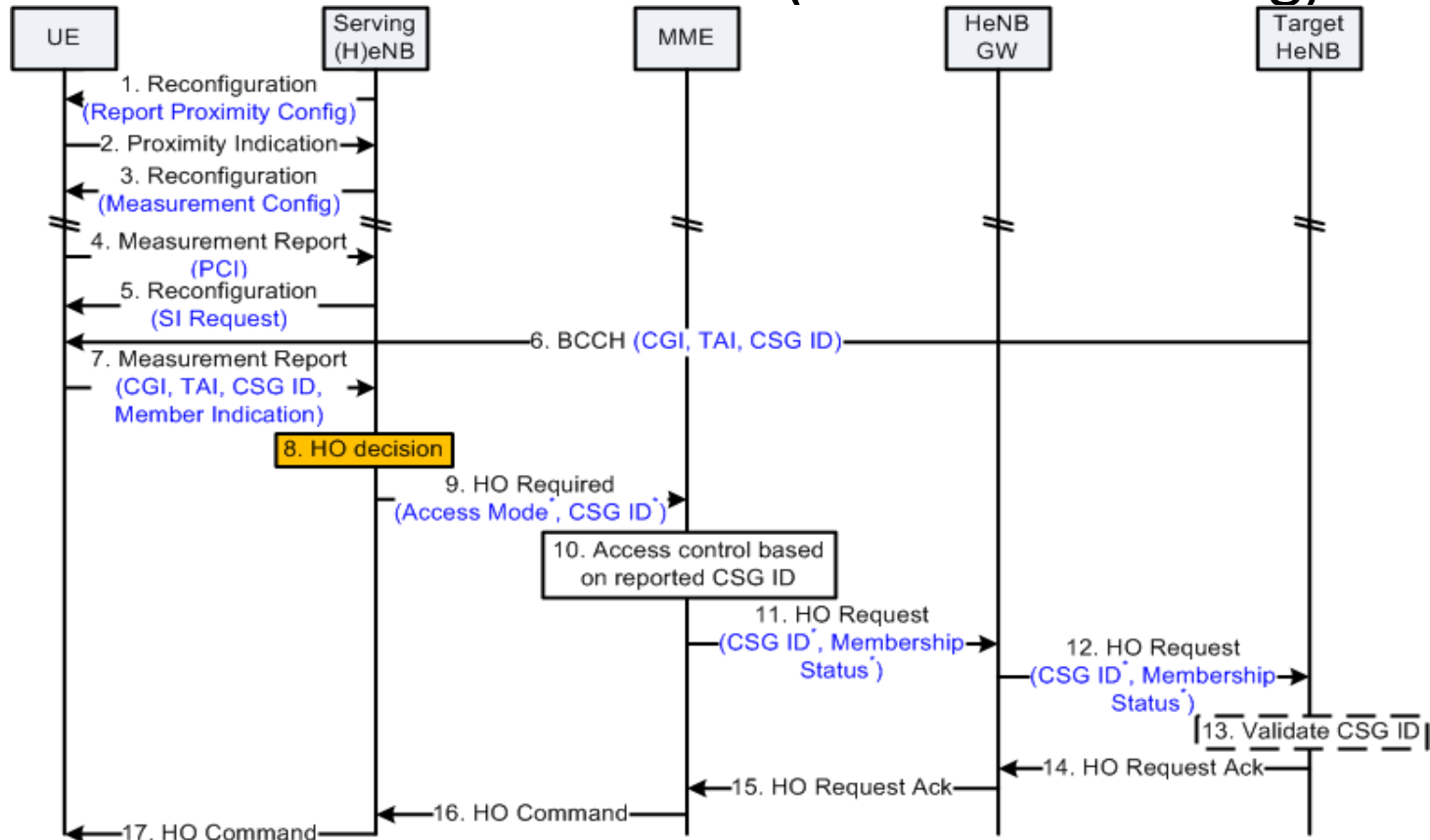
- Sc. 1 and 2 do not require procedural enhancements
- Sc. 3,4,5 (inbound mobility to femtocells) necessitate the use of proximity estimation, the resolution of the PCI confusion problem and the employment of access control (scenario 3)



# Part I: Mobility Management for femtocells in LTE-A

- Handover Execution in LTE-A

– HO execution scenario 3 (most demanding)





# Part II: Handover Decision for femtocells in LTE-Advanced

- Overview of Part II
  - Handover Decision Criteria and Context
  - Classification of Handover Decision Algorithms
  - Survey of Handover Decision Algorithms
  - Performance Evaluation and Modeling Issues
  - Comparative Summary
  - Future Research Directions



# Part II: Handover Decision for femtocells in LTE-Advanced

- Handover Decision Criteria and Context
  - *Received Signal Strength (RSS)*:
    - Received power on the reference or pilot signals transmitted by a specific cell
    - The key decision parameter in cellular networks
    - A biased parameter in the presence of femtocells
      - Equals to the product of the (uneven) RS transmit power and the channel gain
    - Standard measurement capability in LTE-A (RSRP)
  - *Received interference power (RIP)*
    - Cell RIP: the total received power from (non-associated) users in proximity
    - UE RSSI: the total received power from cells in proximity
      - Received Signal Strength Indicator (RSSI)
    - Standard measurement capability in LTE-A
    - Acquiring the cell RIP increases signaling





# Part II: Handover Decision for femtocells in LTE-Advanced

- Handover Decision Criteria and Context
  - *Received Signal Quality (RSQ)*
    - The ratio of the RSS from a target cell to the total RIP at the UE (signal quality based on the RS)
    - Standard measurement capability in LTE-A (RSRQ)
  - *UE speed*
    - Widely used to enhance inbound mobility to femtocells and reduce unnecessary HOs for medium to high speed users
    - Necessitates increased monetary, energy consumption or network signaling
  - *Energy-efficiency*
    - Critical parameter for IMT-Advanced mobile devices
      - Multifarious user applications and radio capabilities
    - Translated to the UE battery power [54], the mean UE transmit power [55], and the UE power consumption [60]



# Part II: Handover Decision for femtocells in LTE-Advanced

- Handover Decision Criteria and Context
  - *Path loss*
    - Includes the impact of various signal attenuation factors caused by the wireless medium and the ambient radio environment, e.g., propagation, absorption and diffraction losses
    - Unbiased parameter in the presence of femtocells
    - Difficult to accurately estimate
  - *RS transmit power*
    - Cell transmit power on the RS
    - Can be used to estimate the actual path loss
    - Standard measurement capability in LTE-A
  - *Traffic type*
    - Existing classifications include real or non-real time traffic [47], [49], [53], [54], and voice or data traffic [52]



# Part II: Handover Decision for femtocells in LTE-Advanced

- Handover Decision Criteria and Context
  - *Available bandwidth*
    - Measures the resource availability in the target cell
    - Used to perform preliminary admission control
    - Refers to the cell load, capacity, number of connected UEs
  - *UE residence time within the cell*
    - The duration that a tagged UE is expected to remain within the coverage of a cell
    - Used to minimize the number of unnecessary HOs
    - Difficult to estimate
  - *UE membership status*
    - Unique femtocell feature
    - Used to minimize the HO failure probability due to access control



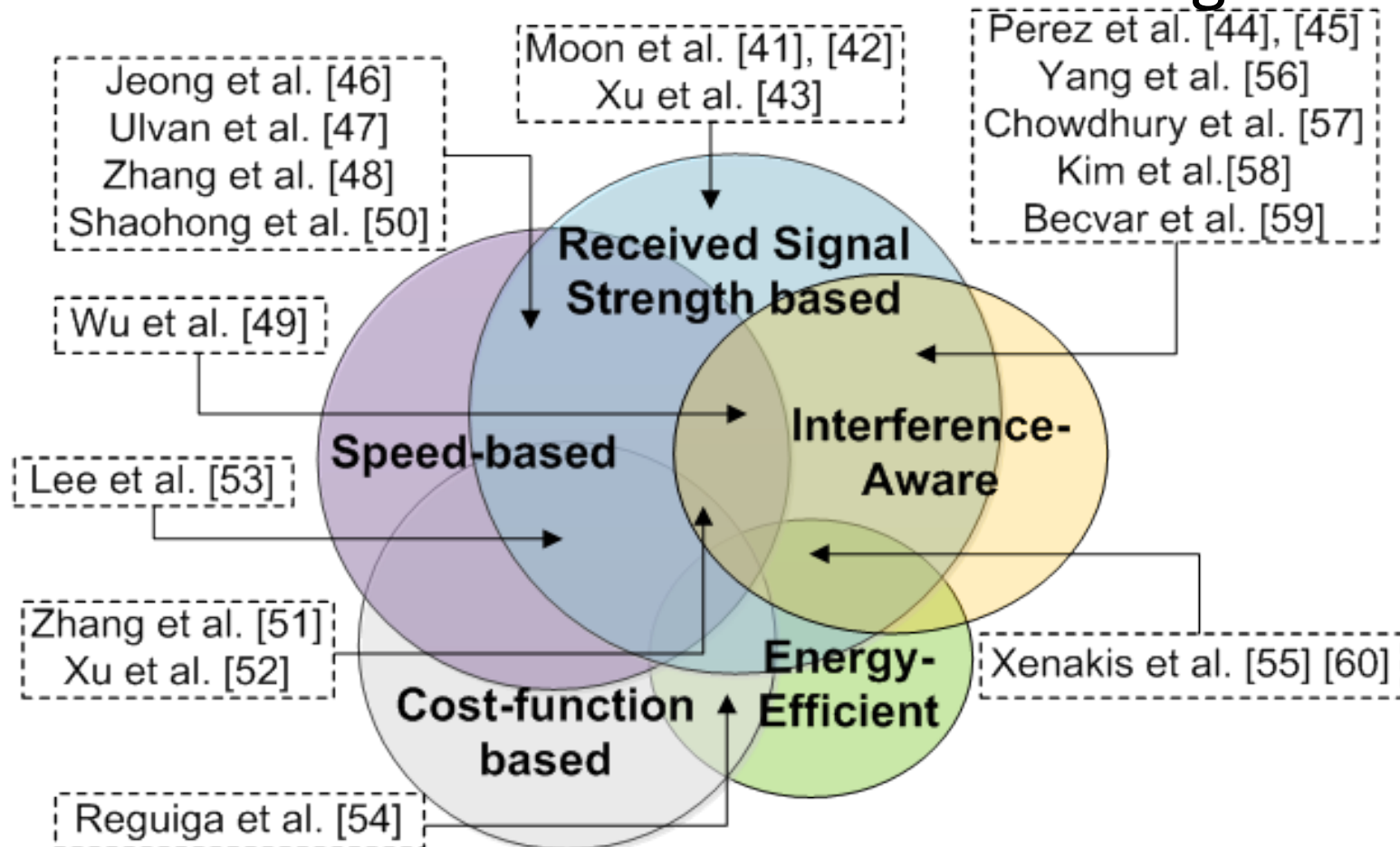
# Part II: Handover Decision for femtocells in LTE-Advanced

- Classification of Handover Decision Algorithms
  - Noteworthy amount of HO algorithms for femtocells [41]-[60]
  - Classification based on the primary HO decision parameter under use
    - Allows for simple comparison and useful insights
    - Most of the existing algorithms utilize parameters that span over the identified classes
  - HO decision classes
    - *Received signal strength based algorithms*
    - *Speed based algorithms*
    - *Cost-function based algorithms*
    - *Interference-aware algorithms*
    - *Energy-efficient algorithms*



# Part II: Handover Decision for femtocells in LTE-Advanced

- Classification of Handover Decision Algorithms





# Part II: Handover Decision for femtocells in LTE-Advanced

- Classification of Handover Decision Algorithms
  - *Received signal strength based algorithms* [41]-[46]
    - The decision outcome is primarily based on the RSS
    - Existing approaches for using the RSS
      - Relative RSS comparison of the serving and the target cells, either directly or with hysteresis margin
      - Absolute RSS comparison of the serving or the target cell with absolute thresholds
      - Combination of these approaches
  - *Speed based algorithms* [47]-[50]
    - The decision outcome is primarily based on the UE speed
    - The HO decision is primarily taken by comparing the UE speed to absolute thresholds
    - Speed based algorithms account for other criteria
      - RSS, traffic type, cell load



# Part II: Handover Decision for femtocells in LTE-Advanced

- Classification of Handover Decision Algorithms
  - *Cost-function based algorithms* [51]-[54]
    - Integrate a wide range of parameters within a single cost-function
      - Multi-parameter function or weighted sum
    - A HO is initiated when the cost-function outcome of a nearby cell exceeds over the one of the serving cell
  - *Interference-aware algorithms* [55]-[59]
    - Account for the interference at the UEs or the cells
      - Main parameters include the cell RIP and the RSQ
    - RSQ-based interference-aware algorithms
      - Similar approach with the RSS comparison
    - Cell RIP-based interference-aware algorithms
      - Improve the SINR performance
      - Necessitate increased signaling to exchange the RIP measurements among the cells



# Part II: Handover Decision for femtocells in LTE-Advanced

- Classification of Handover Decision Algorithms
  - *Energy-efficient algorithms* [60]
    - Utilize the energy saving potential offered by the femtocell infrastructure
    - Energy-efficient parameters include
      - UE battery time, expected UE energy consumption per bit, mean UE transmit power
    - Energy-efficiency and interference-awareness closely related





# References

1. J. G. Andrews, H. Claussen, M. Dohler, S. Rangan, M. C. Reed, "Femtocells: Past, Present, and Future", IEEE J. on Sel. Areas in Comm., vol.30, no.3, pp.497-508, Apr. 2012.
2. T. Zahir, K.Arshad, A. Nakata, K. Moessner, "Interference Management in Femtocells", IEEE Comm. Surv. & Tut. vol., no.99, pp.1-19, 2012.
3. ITU-R SG5, "Invitation for Submission of Proposals for Candidate Radio Interface Technologies for the Terrestrial Components of the Radio Interface(s) for IMT-Advanced and Invitation to Participate in their Subsequent Evaluation," Circular Letter 5/LCCE/2, Mar.2008.
4. ITU-R M.2134, "Requirements Related to Technical Performance for IMT-Advanced Radio Interface(s)", 2008.
5. S. Parkvall, A. Furuskär, E. Dahlman, "Evolution of LTE toward IMT-advanced", IEEE Comm., vol.49, no.2, pp.84-91, Feb. 2011.
6. A.Ghosh, R. Ratasuk, B. Mondal, N. Mangalvedhe, T. Thomas, "LTE-advanced: next-generation wireless broadband technology", IEEE Wirel. Comm., vol.17, no.3, pp.10-22, June 2010.
7. M. Iwamura, K. Etemad, Mo-Han Fong, R. Nory, R. Love, "Carrier aggregation framework in 3GPP LTE-advanced", IEEE Comm., vol.48, no.8, pp.60-67, Aug. 2010.
8. Q. Li, G. Li, W. Lee, M. Lee, D. Mazzaresse, B. Clerckx, Z. Li, "MIMO techniques in WiMAX and LTE: a feature overview", IEEE Comm., vol.48, no.5, pp.86-92, May 2010.
9. K. Loa, Chih-Chiang Wu, Shiann-Tsong Sheu, Yifei Yuan, M. Chion, D. Huo, Ling Xu, "IMT-advanced relay standards", IEEE Comm., vol.48, no.8, pp.40-48, Aug. 2010.
10. G. Boudreau, J. Panicker, Ning Guo, Rui Chang, Neng Wang, S. Vrzic, "Interference coordination and cancellation for 4G networks", IEEE Comm., vol.47, no.4, pp.74-81, Apr. 2009.
11. K. Zheng, B. Fan, J. Liu, Y. Lin, W. Wang, "Interference coordination for OFDM-based multihop LTE-advanced networks", IEEE Wirel. Comm., vol.18, no.1, pp.54-63, Feb. 2011.
12. V. Chandrasekhar, J. Andrews, A. Gatherer, "Femtocell networks: a survey", IEEE Comm., vol.46, no.9, pp.59-67, Sept. 2008.
13. G. de la Roche, A. Valcarce, D. Lopez-Perez, Jie Zhang, "Access control mechanisms for femtocells", IEEE Comm., vol.48, no.1, pp.33-39, Jan. 2010.
14. A. Golaup, M. Mustapha, L.B. Patanapongpibul, "Femtocell access control strategy in UMTS and LTE", IEEE Comm., vol.47, no.9, pp.117-123, Sept. 2009.
15. D. Lopez-Perez, A. Valcarce, G. de la Roche, Jie Zhang, "OFDMA femtocells: A roadmap on interference avoidance", IEEE Comm., vol.47, no.9, pp.41-48, Sept. 2009.
16. M. Yavuz, F. Meshkati, S. Nanda, A. Pokhariyal, N. Johnson, B. Raghothaman, A. Richardson, "Interference management and performance analysis of UMTS/HSPA+ femtocells", IEEE Comm., vol.47, no.9, pp.102-109, Sept. 2009.



# References

17. N. Saquib, E. Hossain, L. B. Le, and D. I. Kim, "Interference management in OFDMA femtocell networks: Issues and approaches," *IEEE Wirel. Comm.*, vol.19, no.3, pp.86-95, June 2012.
18. A. Bousia, A. Antonopoulos, L. Alonso and Ch. Verikoukis, "'Green' Distance-Aware Base Station Sleeping Algorithm in LTE-Advanced", 2012 IEEE Internat. Conf. on Comm. (ICC), June 2012.
19. B. Debaillie, A. Giry, M.J. Gonzalez, L. Dussopt, M. Li, D. Ferling, V. Giannini, "Opportunities for energy savings in pico/femto-cell base-stations", 2011 Future Netw. & Mob. Summit (FutureNetw), vol., no., pp.1-8, June 2011.
20. T. Chen, Y. Yang, H. Zhang, H. Kim, K. Horneman, "Network energy saving technologies for green wireless access networks", *IEEE Wirel. Comm.*, vol.18, no.5, pp.30-38, Oct. 2011.
21. A. Conte, A. Feki, L. Chiaraviglio, D. Ciullo, M. Meo, M.A. Marsan, "Cell wilting and blossoming for energy efficiency", *IEEE Wireless Communications*, vol.18, no.5, pp.50-57, Oct. 2011.
22. K. Zheng, Y. Wang, W. Wang, M. Dohler, J. Wang, "Energy-efficient wireless in-home: the need for interference-controlled femtocells", *IEEE Wirel. Comm.*, vol.18, no.6, pp.36-44, Dec. 2011.
23. M. S. Kim, H. W. Je, F.A. Tobagi, "Cross-Tier Interference Mitigation for Two-Tier OFDMA Femtocell Networks with Limited Macrocell Information", 2010 IEEE Global Telecom. Conf. (GLOBECOM) 2010, pp.1-5, Dec. 2010.
24. A. Galindo-Serrano, L. Giupponi, M. Dohler, "Cognition and Docition in OFDMA-Based Femtocell Networks", 2010 IEEE Global Telecom. Conf. (GLOBECOM) 2010, pp.1-6, Dec. 2010.
25. V. Chandrasekhar, J.G. Andrews, T. Muharemovic, Z. Shen, A. Gatherer, "Power control in two-tier femtocell networks", *IEEE Trans. on Wirel. Comm.*, vol.8, no.8, pp.4316-4328, Aug. 2009.
26. H. Jo, C. Mun, J. Moon, J. Yook, "Interference mitigation using uplink power control for two-tier femtocell networks", *IEEE Trans. on Wirel. Comm.*, vol.8, no.10, pp.4906-4910, Oct. 2009.
27. S. Park, W. Seo, Y. Kim, S. Lim, D. Hong, "Beam Subset Selection Strategy for Interference Reduction in Two-Tier Femtocell Networks", *IEEE Trans. on Wirel. Comm.*, vol.9, no.11, pp.3440-3449, Nov. 2010.
28. Y. Sun, R.P.Jover, X. Wang, "Uplink Interference Mitigation for OFDMA Femtocell Networks", *IEEE Trans. on Wirel. Comm.*, vol.11, no.2, pp.614-625, Feb. 2012.
29. O. Simeone, E. Erkip, S. Shitz, "Robust Transmission and Interference Management For Femtocells with Unreliable Network Access", *IEEE J. on Sel. Areas in Comm.*, vol.28, no.9, pp.1469-1478, Dec. 2010.
30. L. Zhou, H. Xu, H. Tian, Y. Gao, L. Du, L. Chen, "Performance Analysis of Power Saving Mechanism with Adjustable DRX Cycles in 3GPP LTE", *IEEE 68th Vehic. Techn. Conf. 2008 (VTC-Fall)*, pp.1-5, Sept. 2008.
31. C. Bontu, E. Illidge, "DRX mechanism for power saving in LTE", *IEEE Comm.*, vol.47, no.6, pp.48-55, June 2009.
32. J. Wigard, T. Kolding, L. Dalgaard, C. Coletti, "On the User Performance of LTE UE Power Savings Schemes with Discontinuous Reception in LTE", 2009 IEEE Internat. Conf. on Comm. (ICC) Workshops, pp.1-5, 14-18 June 2009.
33. Y. Shen, T. Luo, M. Z. Win, "Neighboring Cell Search for LTE Systems", *IEEE Trans. on Wirel. Comm.*, vol.11, no.3, pp.908-919, Mar. 2012.



# References

34. J. Lim, D. Hong, "Management of neighbor cell lists and physical cell identifiers in self-organizing heterogeneous networks", *J. of Comm. and Nets.*, vol.13, no.4, pp.367-376, Aug. 2011.
35. F. Meshkati, Y. Jiang, L. Gropop, S. Nagaraja, M. Yavuz, and S. Nanda, "Mobility and Femtocell Discovery in 3G UMTS Networks," *Qualcomm Whitepaper*, Feb. 2010.
36. F. Meshkati, Y. Jiang; L. Gropop, S. Nagaraja, M. Yavuz, and S. Nanda, "Mobility and Capacity Offload for 3G UMTS Femtocells", *IEEE Global Telecom. Conf. (GLOBECOM) 2009*, pp.1-7, Dec. 2009.
37. H. Lee, Y. Lin, "A cache scheme for femtocell reselection", *IEEE Comm. Letters*, vol.14, no.1, pp.27-29, Jan. 2010
38. J. Ferragut, J. Mangues, "A Self-Organized Tracking Area List Mechanism for Large-Scale Networks of Femtocells", *2012 IEEE Internat. Conf. on Comm. (ICC)*, June 2012.
39. Y. J. Kwon, D. Cho, "Load Based Cell Selection Algorithm for Faulted Handover in Indoor Femtocell Network", *2011 IEEE 73rd Vehic. Techn. Conf. (VTC-Spring)*, vol., no., pp.1-5, May 2011.
40. Z. Fan, Y. Sun, "Access and Handover Management for Femtocell Systems", *2010 IEEE 71st Vehic. Techn. Conf. (VTC-Spring)*, pp.1-5, May 2010.
41. J. Moon, D. Cho, "Efficient handoff algorithm for inbound mobility in hierarchical macro/femto cell networks", *IEEE Comm. Letters*, vol.13, no.10, pp.755-757, Oct. 2009.
42. J. Moon, D. Cho, "Novel Handoff Decision Algorithm in Hierarchical Macro/Femto-Cell Networks", *IEEE Wirel. Comm. and Netw. Conf. (WCNC) 2010*, pp.1-6, Apr. 2010.
43. P. Xu, X. Fang, R. He, Z. Xiang, "An efficient handoff algorithm based on received signal strength and wireless transmission loss in hierarchical cell networks", *Telecom. Sys. J.*, Elsevier, pp. 1-9, Sept. 2011.
44. D. Lopez-Perez, A. Ladanyi, A. Juttner, Jie Zhang, "OFDMA Femtocells: Intracell Handover for Interference and Handover Mitigation in Two-Tier Networks", *2010 IEEE Wirel. Comm. and Netw. Conf. (WCNC)*, pp.1-6, Apr. 2010.
45. D. Lopez-Perez, A. Valcarce, A. Ladanyi, G. de la Roche, J. Zhang, "Intracell handover for interference and handover mitigation in OFDMA two-tier macrocell-femtocell networks", *EURASIP J. on Wirel. Comm. and Netw. - SI on femtocell networks*, vol. 10, no. 1, Jan. 2010.
46. B. Jeong, S. Shin, I. Jang, N. W. Sung, H. Yoon, "A Smart Handover Decision Algorithm Using Location Prediction for Hierarchical Macro/Femto-Cell Networks," *2011 IEEE Vehic. Techn. Conf. (VTC-Fall)*, pp.1-5, Sept. 2011.
47. A. Ulvan, R. Bestak, M. Ulvan, "Handover Scenario and Procedure in LTE-based Femtocell Networks", *The 4th Internat. Conf. on Mob. Ubiqu. Comput., Syst., Serv. and Technolog.*, pp. 213-218, Oct. 2010.
48. H. Zhang, W. Ma, W. Li, W. Zheng, X. Wen, C. Jiang, "Signalling Cost Evaluation of Handover Management Schemes in LTE-Advanced Femtocell", *2011 IEEE 73rd Vehic. Techn. Conf. (VTC Spring)*, pp.1-5, May 2011.
49. S. Wu, S. Lo, "Handover Scheme in LTE-based Networks with Hybrid Access Mode Femtocells", *J. of Convergence Inform. Techn.*, vol. 6, no. 7, pp. 68-78, July 2011.



# References

50. W. Shaohong, Z. Xin, Z. Ruiming, Y. Zhiwei, F. Yinglong, Y. Dacheng, "Handover Study Concerning Mobility in the Two-Hierarchy Network", IEEE 69th Vehic. Techn. Conf. (VTC), pp.1-5, Apr. 2009.
51. H. Zhang, X. Wen, B. Wang, W. Zheng, Y. Sun, "A Novel Handover Mechanism Between Femtocell and Macrocell for LTE Based Networks", IEEE 2nd Internat. Conf. on Comm. Softw. and Nets. 2010 (ICCSN), pp.228-231, Feb. 2010.
52. P. Xu, X. Fang, J. Yang, Y. Cui, "A User's State and SINR-Based Handoff Algorithm in Hierarchical Cell Networks", 2010 IEEE 6th Internat. Conf. on Wirel. Comm. Netw. and Mobile Comp. (WiCOM), pp.1-4, Sept. 2010.
53. D. Lee, G. Gil, D. Kim, "A Cost-Based Adaptive Handover Hysteresis Scheme to Minimize the Handover Failure Rate in 3GPP LTE System", EURASIP J. on Wirel. Comm. and Netw., vol. 2010, no. 6, Feb. 2010.
54. K. S. B. Reguiga, F. Mhiri, R. Bouallegue, "Handoff Management in Green Femtocell Network", Internat. J. of Comp. Apps., vol. 27, no. 4, pp. 1-7, Aug. 2011.
55. D. Xenakis, N. Passas, and C. Verikoukis, "A Novel Handover Decision Policy for Reducing Power Transmissions in the two-tier LTE network", 2012 IEEE Internat. Comm. Conf. (ICC), pp.1352-1356, June 2012.
56. G. Yang, X. Wang, X. Chen, "Handover control for LTE femtocell networks," 2011 IEEE Internat. Conf. on Electronics, Comm. and Control (ICECC), vol., no., pp.2670-2673, Sept. 2011.
57. M. Z. Chowdhury, W. Ryu, E. Rhee, Y. M. Jang, "Handover between macrocell and femtocell for UMTS based networks," IEEE 11th Internat. Conf. on Advanced Comm. Techn. (ICACT) 2009, vol.01, no., pp.237-241, Feb. 2009.
58. J. Kim, T. Lee, "Handover in UMTS networks with hybrid access femtocells," IEEE 12th Internat. Conf. on Advanced Comm. Techn. (ICACT) 2010, vol.1, no., pp.904-908, Feb. 2010.
59. Z. Becvar, P. Mach, "Adaptive Hysteresis Margin for Handover in Femtocell Networks", IEEE 6th Internat. Conf. on Wirel. and Mobile Comm., pp.256-261, Sept. 2010.
60. D. Xenakis, N. Passas, C. Verikoukis, "An energy-centric handover decision algorithm for the integrated LTE macrocell-femtocell network", Comp. Comm., Elsevier, 2012.
61. A. Rath and S. S. Panwar, "Fast Handover in Cellular Networks with Femtocells," 2012 IEEE Internat. Comm. Conf. (ICC), June 2012.
62. H. S. Dhillon, R. K. Ganti, F. Baccelli, J. G. Andrews, "Modeling and Analysis of K-Tier Downlink Heterogeneous Cellular Networks," IEEE J. on Sel. Areas in Comm., vol.30, no.3, pp.550-560, Apr. 2012
63. Y. Kim, S. Lee, D. Hong, "Performance Analysis of Two-Tier Femtocell Networks with Outage Constraints", IEEE Trans. on Wirel. Comm., vol.9, no.9, pp.2695-2700, Sept. 2010.
64. V. Chandrasekhar, J. Andrews, "Uplink capacity and interference avoidance for two-tier femtocell networks," IEEE Trans. on Wirel. Comm., vol.8, no.7, pp.3498-3509, July 2009.
65. U. Narayanan, Jiang Xie, "Signaling Cost Analysis of Handoffs in a Mixed IPv4/IPv6 Mobile Environment", IEEE Global Telecom. Conf. (GLOBECOM) 2007, pp.1792-1796, Nov. 2007.



# References

66. S. Oh, H. Kim, B. Ryu, N. Park, "Inbound Mobility Management on LTE-Advanced Femtocell Topology Using X2 Interface", 2011 20th Internat. Conf. on Comp. Comm. and Nets. (ICCCN), pp.1-5, Aug. 2011.
67. H. Zhang, W. Zheng, X. Wen, C. Jiang, "Signalling Overhead Evaluation of HeNB Mobility Enhanced Schemes in 3GPP LTE-Advanced", 2011 IEEE 73rd Vehic. Techn. Conf. (VTC-Spring), pp.1-5, May 2011.
68. L. Wang, Y. Zhang, Z. Wei, "Mobility Management Schemes at Radio Network Layer for LTE Femtocells", 2009 IEEE 69th Vehic. Techn. Conf. (VTC-Spring), vol., no., pp.1-5, Apr. 2009.
69. S. Pack, T. Kwon, Y. Choi, "A mobility-based load control scheme at mobility anchor point in hierarchical mobile IPv6 networks", IEEE Global Telecom. Conf. (GLOBECOM) 2004, pp. 3431- 3435, Dec. 2004.
70. S.-T. Cheng, J.-L. Lin, "IPv6-based dynamic coordinated call admission control mechanism over integrated wireless networks", IEEE J. on Sel. Areas in Comm., vol.23, no.11, pp. 2093- 2103, Nov. 2005.
71. Q. Huang, Y.-C. Huang, K.-T. Ko, V.B. Iversen, "Loss Performance Modeling for Hierarchical Heterogeneous Wireless Networks With Speed-Sensitive Call Admission Control", IEEE Trans. on Vehic. Techn., vol.60, no.5, pp.2209-2223, Jun. 2011.
72. D. T. Ngo, L. B. Le, T. Le-Ngoc, E. Hossain, D. I. Kim, "Distributed Interference Management in Two-Tier CDMA Femtocell Networks", IEEE Trans. on Wirel. Comm., vol.11, no.3, pp.979-989, Mar. 2012.
73. L. B. Le, D. T. Hoang, D. Niyato, E. Hossain, D. I. Kim, "Joint Load Balancing and Admission Control in OFDMA-Based Femtocell Networks", 2012 IEEE Internat. Comm. Conf. (ICC), June 2012.
74. J. Zhang, G. de la Roche, "Femtocells: technologies and deployment", John Wiley & Sons Ltd, ISBN 978-0-470-74298-3, 2010.
75. H. Kwak, P. Lee, Y. Kim, N. Saxena, and J. Shin, "Mobility Management Survey for Home-eNB Based 3GPP LTE Systems", J. of Inform. Process. Sys., Vol.4, No.4, Dec. 2008.
76. Y. Li, A. Maeder, L. Fan, A. Nigam, J. Chou, "Overview of femtocell support in advanced WiMAX systems", IEEE Comm., vol.49, no.7, pp.122-130, July 2011.
77. R. Y. Kim, I. Jung, X. Yang, C. Chou, "Advanced handover schemes in IMT-advanced systems [WiMAX/LTE Update]", IEEE Comm., vol.48, no.8, pp.78-85, Aug. 2010.
78. S. K. Ray, K. Pawlikowski, H. Sirisena, "Handover in Mobile WiMAX Networks: The State of Art and Research Issues", IEEE Comm. Surv. & Tut., vol.12, no.3, pp.376-399, Third Quarter 2010.
79. B. V. Quang, R. V. Prasad, I. Niemegeers, "A Survey on Handoffs — Lessons for 60 GHz Based Wirel. Systems", IEEE Comm. Surv. & Tut., vol.14, no.1, pp.64-86, First Quarter 2012.
80. S. Fernandes, A. Karmouch, "Vertical Mobility Management Architectures in Wirel. Networks: A Comprehensive Survey and Future Directions," IEEE Comm. Surv. & Tut., vol.14, no.1, pp.45-63, First Quarter 2012.
81. P. Makris, D. Skoutas, C.Skianis, "A Survey on Context-Aware Mobile and Wireless Networking: On Networking and Computing Environments' Integration," IEEE Comm. Surv. & Tut., vol., no.99, pp.1-25, 2012.



# References

82. M. Kassar, B. Kervella, G. Pujolle, "An overview of vertical handover decision strategies in heterogeneous wireless networks", *Comp. Comm.*, Elsevier, vol. 31, no. 10, pp. 2607–2620, Jan. 2008.
83. X. Yan, Y. A. Şekercioğlu, S. Narayanan, "A survey of vertical handover decision algorithms in Fourth Generation heterogeneous wireless networks", *Comp. Networks*, Elsevier, col. 54, no. 11, pp. 1848-1863, Aug. 2010.
84. 3GPP, "E-UTRA and E-UTRAN Overall Description", TS 36.300 V10.7.0, Mar. 2012.
85. 3GPP, "X2 general aspects and principles", TS 36.420 V10.2.0, Sept. 2011.
86. 3GPP, "X2 application protocol (X2AP)", TS 36.423 V10.5.0, Mar. 2012.
87. 3GPP, "S1 general aspects and principles", TS 36.410 V10.2.0, Sept. 2011.
88. 3GPP, "S1 application protocol (S1AP)", TS 36.413 V10.5.0, Mar. 2012.
89. 3GPP, "Physical Channels and Modulation", TS 36.211 V10.4.0, Dec. 2011.
90. 3GPP, "Physical layer; Measurements", TS 36.214 V10.1.0, Mar. 2011.
91. 3GPP, "Radio Resource Control (RRC); Protocol specification", TS 36.331 V10.5.0, Mar. 2012.
92. X. Zhang, D. Zhou, Z. Xiao, E. Liu, J. Zhang, A. A. Glasunov, "Dynamic Group PCI Assignment Scheme", *The 7th Internat. Conf. on Wirel. and Mobile Comm.*, pp. 101-106, June 2011.
93. Y. Liu, W. Li, H. Zhang, W. Lu, "Graph based automatic centralized PCI assignment in LTE", *2010 IEEE Symp. on Comp.s and Comm. (ISCC)*, vol., no., pp.919-921, June 2010.
94. S. Kwon, N. Lee, "Virtual extension of cell IDs in a femtocell environment", *2011 IEEE Wirel. Comm. and Netw. Conf. (WCNC)*, vol., no., pp.428-433, Mar. 2011.
95. Y. Liu, W. Li, H. Zhang, L. Yu, "Distributed PCI Assignment in LTE Based on Consultation Mechanism", *2010 6th Internat. Conf. on Wirel. Comm. Netw. and Mobile Comp. (WiCOM)*, vol., no., pp.1-4, 23-25 Sept. 2010.
96. T. Wu, L. Rui, A. Xiong, S. Guo, "An Automation PCI Allocation Method for eNodeB and Home eNodeB Cell", *2010 6th Internat. Conf. on Wirel. Comm. Netw. and Mobile Comp. (WiCOM)*, vol., no., pp.1-4, 23-25 Sept. 2010.
97. J. Lim, D. Hong, "Management of neighbor cell lists and physical cell identifiers in self-organizing heterogeneous networks", *J. of Comm. and Networks*, vol.13, no.4, pp.367-376, Aug. 2011.
98. H. Kallin, J. Moe, "Method for automatically selecting a physical cell identity (PCI) of a long term evolution (LTE) radio cell", *U.S. Patent*, Pub. No. US 2010/0331025 A1, Dec. 2010.
99. L. Zhou, H. Xu, H. Tian, Y. Gao, L. Du, L. Chen, "Performance Analysis of Power Saving Mechanism with Adjustable DRX Cycles in 3GPP LTE", *2008 IEEE 68th Vehic. Techn. Conf. (VTC-Fall)*, vol., no., pp.1-5, Sept. 2008.
100. C. Bontu, E. Illidge, "DRX mechanism for power saving in LTE", *IEEE Comm.*, vol.47, no.6, pp.48-55, June 2009.



# References

101. J. Wigard, T. Kolding, L. Dalsgaard, C. Coletti, "On the User Performance of LTE UE Power Savings Schemes with Discontinuous Reception in LTE", 2009 IEEE Internat. Conf. on Comm. (ICC) Workshops, vol., no., pp.1-5, 14-18 June 2009.
102. S. Sesia, I. Toufik, M. Baker, "LTE – The UMTS Long Term Evolution: From Theory to Practice", John Wiley & Sons, ISBN: 978-0-470-69716-0, 2009.
103. O. Tipmongkolsilp, S. Zaghloul, A. Jukan, "The Evolution of Cellular Backhaul Technologies: Current Issues and Future Trends", IEEE Comm. Surv. & Tut., vol.13, no.1, pp.97-113, First Quarter 2011.
104. A. Attar, L. Haoming, V.C.M. Leung, "Green last mile: how fiber-connected massively distributed antenna systems can save energy", IEEE Wirel. Comm., vol.18, no.5, pp.66-74, Oct. 2011.
105. N. Ghazisaidi, M. Maier, "Fiber-wireless (FiWi) access networks: Challenges and opportunities", IEEE Network, vol.25, no.1, pp.36-42, Feb. 2011.
106. C. Lim, A. Nirmalathas, M. Bakaul, P. Gamage, K. Lee, Y. Yang, D. Novak, R. Waterhouse, "Fiber-Wirel. Networks and Subsystem Technologies", J. of Lightwave Techn., vol.28, no.4, pp.390-405, Feb. 2010.
107. 3GPP, "Requirements for support of radio resource management", TS 36.133 V10.6.0, Mar. 2012.
108. K. I. Itoh, S. Watanabe, J.-S. Shih, T. Sato, "Performance of handoff algorithm based on distance and RSSI measurements", IEEE Trans. on Vehic. Techn., vol.51, no.6, pp. 1460- 1468, Nov 2002.
109. A. Ulvan, M. Ulvan, and R. Bestak, "The Enhancement of Handover Strategy by Mobility Prediction in Broadband Wirel. Access", Netw. and Electronic Commerce Research Conf. (NAEC) 2009, TX: American Telecom. Sys. Mgmt. Assoc. Inc., pp. 266-276, 2009. ISBN 978-0-9820958-2-9.
110. Small Cell Forum, "Interference Management in OFDMA Femtocells", Small Cell Forum, Mar. 2010.
111. M. Haenggi, J.G. Andrews, F. Baccelli, O. Dousse, M. Franceschetti, "Stochastic geometry and random graphs for the analysis and design of wireless networks", IEEE J. on Sel. Areas in Comm., vol.27, no.7, pp.1029-1046, Sept. 2009.
112. M. Haenggi and R. K. Ganti, "Interference in large wireless networks," Found. Trends Netw., vol. 3, no. 2, pp. 127–248, 2008.
113. F. Baccelli and B. Błaszczyszyn, "Stochastic Geometry and Wireless Networks", Found. Trends Netw., Vol. 3: No 3-4, pp 249-449, 2009.
114. S. Weber and J. Andrews, "Transmission capacity of wireless networks," Found. Trends Netw., vol. 5, no. 2-3, pp. 109–281, 2012.
115. Y. Kim, S. Lee, D. Hong, "Performance Analysis of Two-Tier Femtocell Networks with Outage Constraints," IEEE Trans. on Wirel. Comm., vol.9, no.9, pp.2695-2700, Sept. 2010.



# References

116. N. Chakchouk, B. Hamdaoui, "Uplink Performance Characterization and Analysis of Two-Tier Femtocell Networks", IEEE Trans. on Vehic. Techn., vol.61, no.9, pp.4057-4068, Nov. 2012.
117. Z. Gong, M. Haenggi, "Mobility and Fading: Two Sides of the Same Coin", 2010 IEEE Global Telecom. Conf., pp.1-5, Dec. 2010.
118. Z. Gong and M. Haenggi, "Interference and Outage in Mobile Random Networks: Expectation, Distribution, and Correlation", IEEE Trans. on Mob. Comp., 2013, accepted.
119. Informa Telecoms & Media, "Small Cell Market Status", Small Cell Forum, Feb. 2012.
120. D. Xenakis, N. Passas, L. Merakos, and C. Verikoukis, "Energy-Efficient and Interference-Aware Handover Decision for the LTE-Advanced Femtocell Network", IEEE International Communications Conference (IEEE ICC) 2013, accepted.
121. D. Xenakis, N. Passas, L. Merakos, C. Verikoukis, "Mobility Management for Femtocells in LTE-Advanced: Key Aspects and Survey of Handover Decision Algorithms", IEEE Communication Surveys and Tutorials, accepted.





*Thanks for your kind attention!*

**Questions?**

*Dionysis Xenakis, candidate PhD*  
*nio@di.uoa.gr*



# Disclaimer

All opinions expressed in this document are those of the author(s) individually and are not reflective or indicative of the opinions and positions of the authors' employers. No information published in this document constitutes or should be construed as constituting an offer to sell any products or services, or an offer or a solicitation of an offer to purchase or sell any products or services. No information published in this document constitutes or should be construed as rendering a description or indication of any feature characteristic of any existing or planned product. The technology described in this document is or could be under development and is being presented solely for the purpose of soliciting feedback, without warranty of any kind, express or implied, including but not limited to the warranties of merchantability, fitness for a particular purpose and non-infringement. In no event shall the authors be liable for any claim, damages or other liability, whether in an action of contract, tort or otherwise, arising from, out of or in connection with this document or the use or other dealings with this document. This document may contain trade secrets or privileged, undisclosed or otherwise confidential information. If you have received this document in error, you are hereby notified that any review, copying or distribution of it may violate existing law and be prosecuted. Please inform us immediately and destroy the original transmittal. Thank you for your cooperation.